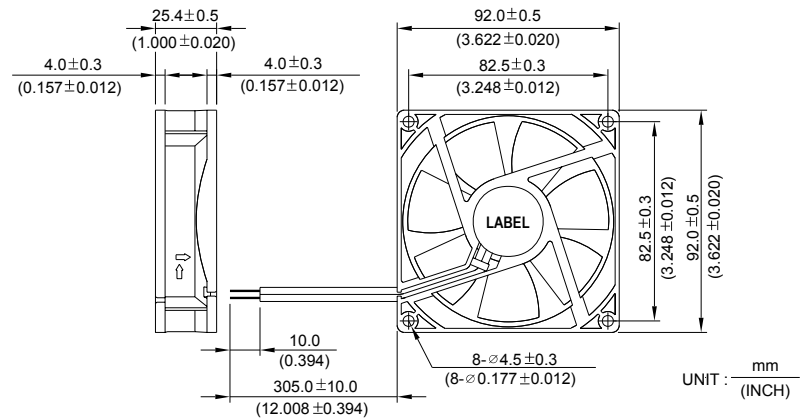


# AFB 92 x 92 x 25.4 MM SERIES

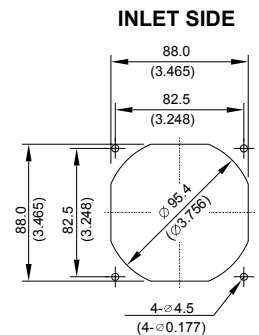
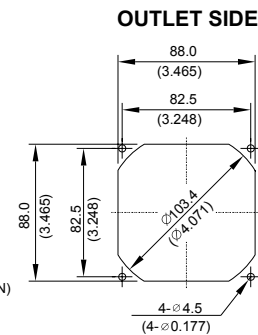
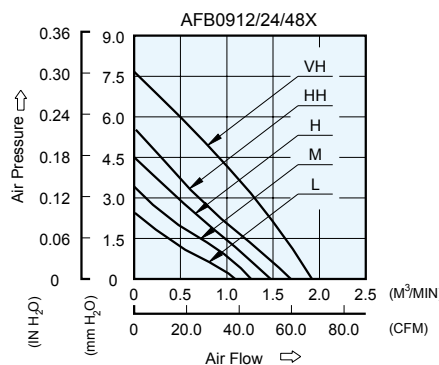
## DIMENSIONS DRAWING



- \* Bearing Type  
Ball Bearings
- \* Material  
Impeller & Frame : Plastic (UL 94V-0)
- \* Lead Wires :  
UL 1007 AWG #24 OR Equivalent  
Red Wire Positive (+)  
Black Wire Negative (-)
- \* Weight : 99g (3.49 oz)

## P & Q CURVE (AT RATED VOLTAGE)

## MOUNTING PANEL CUTOUT

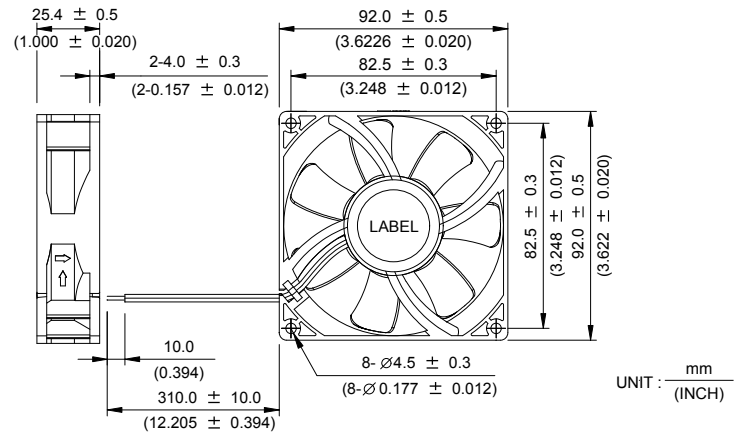
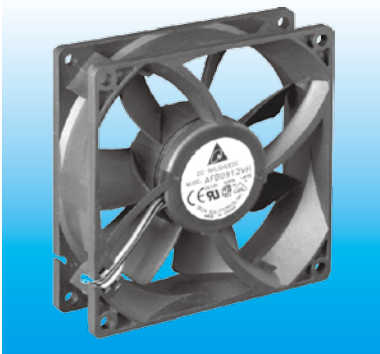


| MODEL     |             | Rated Voltage | Operating Voltage Range | Input Current | Input Power | Speed  | Maximum Air Flow    |       | Maximum Air Pressure |                     | Noise |
|-----------|-------------|---------------|-------------------------|---------------|-------------|--------|---------------------|-------|----------------------|---------------------|-------|
| PART NO.  | FUNCTION    | VDC           | VDC                     | Amp           | Watt        | R.P.M. | m <sup>3</sup> /min | CFM   | mmH <sub>2</sub> O   | IN H <sub>2</sub> O | dB-A  |
| AFB0912L  | -R00 / -F00 | 12            | 7.0 to 13.8             | 0.07          | 0.84        | 2100   | 1.050               | 37.08 | 2.53                 | 0.100               | 25.0  |
| AFB0924L  | -R00 / -F00 | 24            | 14.0 to 27.6            | 0.06          | 1.44        |        |                     |       |                      |                     |       |
| AFB0948L  | -R00 / -F00 | 48            | 28.0 to 56.0            | 0.05          | 2.40        |        |                     |       |                      |                     |       |
| AFB0912M  | -R00 / -F00 | 12            | 7.0 to 13.8             | 0.11          | 1.32        | 2450   | 1.240               | 43.79 | 3.25                 | 0.130               | 30.0  |
| AFB0924M  | -R00 / -F00 | 24            | 14.0 to 27.6            | 0.08          | 1.92        |        |                     |       |                      |                     |       |
| AFB0948M  | -R00 / -F00 | 48            | 28.0 to 56.0            | 0.05          | 2.40        |        |                     |       |                      |                     |       |
| AFB0912H  | -R00 / -F00 | 12            | 7.0 to 13.8             | 0.16          | 1.92        | 2850   | 1.450               | 51.21 | 4.50                 | 0.177               | 34.0  |
| AFB0924H  | -R00 / -F00 | 24            | 14.0 to 27.6            | 0.10          | 2.40        |        |                     |       |                      |                     |       |
| AFB0948H  | -R00 / -F00 | 48            | 28.0 to 56.0            | 0.06          | 2.88        |        |                     |       |                      |                     |       |
| AFB0912HH | -R00 / -F00 | 12            | 7.0 to 13.8             | 0.25          | 3.00        | 3200   | 1.640               | 57.92 | 5.62                 | 0.221               | 38.0  |
| AFB0924HH | -R00 / -F00 | 24            | 14.0 to 27.6            | 0.13          | 3.12        |        |                     |       |                      |                     |       |
| AFB0948HH | -R00 / -F00 | 48            | 28.0 to 56.0            | 0.08          | 3.84        |        |                     |       |                      |                     |       |
| AFB0912VH | -R00 / -F00 | 12            | 7.0 to 13.8             | 0.40          | 4.80        | 3800   | 1.920               | 67.80 | 7.67                 | 0.302               | 45.0  |
| AFB0924VH | -R00 / -F00 | 24            | 14.0 to 27.6            | 0.22          | 5.28        |        |                     |       |                      |                     |       |

\* Function type is optional.  
 \* The max. air flow and the speed are measured in free air ; max. air pressure is measured at zero air flow.  
 \* Noise is measured in anechoic chamber in free air, one meter from intake side.  
 \* All readings are typical values at rated voltage.  
 \* Specifications are subject to change without notice.

# AFB 92 x 92 x 25.4 MM SERIES

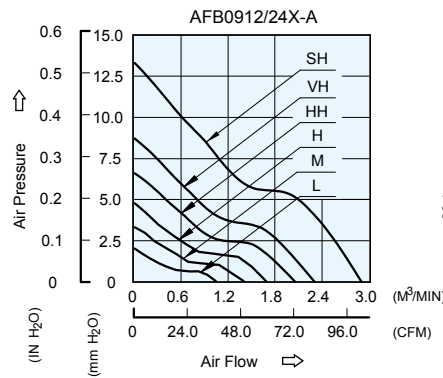
## ■ DIMENSIONS DRAWING



UNIT :  $\frac{\text{mm}}{\text{(INCH)}}$

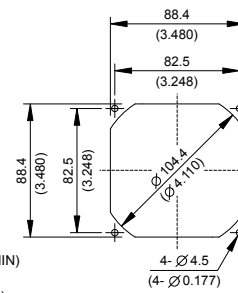
- \* Bearing Type  
Ball Bearings
- \* Material  
Impeller & Frame : Plastic (UL 94V-0)
- \* Lead Wires :  
UL 1007 AWG #24 OR Equivalent  
Red Wire Positive (+)  
Black Wire Negative (-)
- \* Weight : 120g (4.23 oz)

## ■ P & Q CURVE (AT RATED VOLTAGE)

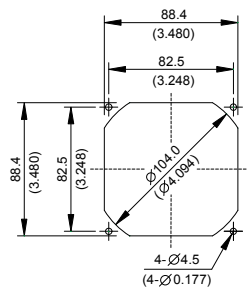


## ■ MOUNTING PANEL CUTOUT

### OUTLET SIDE



### INLET SIDE



UNIT:  $\frac{\text{mm}}{\text{(INCH)}}$

| MODEL     |      |           | Rated Voltage | Operating Voltage Range | Input Current | Input Power | Speed  | Maximum Air Flow    |        | Maximum Air Pressure |                     | Noise |
|-----------|------|-----------|---------------|-------------------------|---------------|-------------|--------|---------------------|--------|----------------------|---------------------|-------|
| PART NO.  | REV. | FUNCTION  | VDC           | VDC                     | Amp           | Watt        | R.P.M. | m <sup>3</sup> /min | CFM    | mmH <sub>2</sub> O   | IN H <sub>2</sub> O | dB-A  |
| AFB0912L  | -A   | -R00/-F00 | 12            | 5.0 to 13.8             | 0.10          | 1.20        | 1800   | 1.055               | 37.25  | 2.05                 | 0.080               | 25.0  |
| AFB0924L  | -A   | -R00/-F00 | 24            | 14.0 to 26.4            | 0.08          | 1.92        |        |                     |        |                      |                     |       |
| AFB0912M  | -A   | -R00/-F00 | 12            | 5.0 to 13.8             | 0.12          | 1.44        | 2300   | 1.402               | 49.51  | 3.38                 | 0.133               | 31.5  |
| AFB0924M  | -A   | -R00/-F00 | 24            | 14.0 to 26.4            | 0.10          | 2.40        |        |                     |        |                      |                     |       |
| AFB0912H  | -A   | -R00/-F00 | 12            | 5.0 to 13.8             | 0.21          | 2.52        | 2800   | 1.696               | 59.89  | 4.86                 | 0.191               | 37.0  |
| AFB0924H  | -A   | -R00/-F00 | 24            | 14.0 to 26.4            | 0.12          | 2.88        |        |                     |        |                      |                     |       |
| AFB0912HH | -A   | -R00/-F00 | 12            | 5.0 to 13.8             | 0.32          | 3.84        | 3300   | 2.060               | 72.74  | 6.65                 | 0.262               | 42.5  |
| AFB0924HH | -A   | -R00/-F00 | 24            | 14.0 to 26.4            | 0.18          | 4.32        |        |                     |        |                      |                     |       |
| AFB0912VH | -A   | -R00/-F00 | 12            | 5.0 to 12.6             | 0.40          | 4.80        | 3800   | 2.307               | 81.47  | 8.76                 | 0.345               | 46.0  |
| AFB0924VH | -A   | -R00/-F00 | 24            | 14.0 to 26.4            | 0.25          | 6.00        |        |                     |        |                      |                     |       |
| AFB0912SH | -A   | -R00/-F00 | 12            | 5.0 to 12.6             | 0.75          | 9.00        | 4800   | 2.905               | 102.59 | 13.35                | 0.526               | 53.0  |
| AFB0924SH | -A   | -R00/-F00 | 24            | 14.0 to 26.4            | 0.40          | 9.60        |        |                     |        |                      |                     |       |

\* Function type is optional.  
 \* The max. air flow and the speed are measured in free air ; max. air pressure is measured at zero air flow.  
 \* Noise is measured in anechoic chamber in free air, one meter from intake side.  
 \* All readings are typical values at rated voltage.  
 \* Specifications are subject to change without notice.