

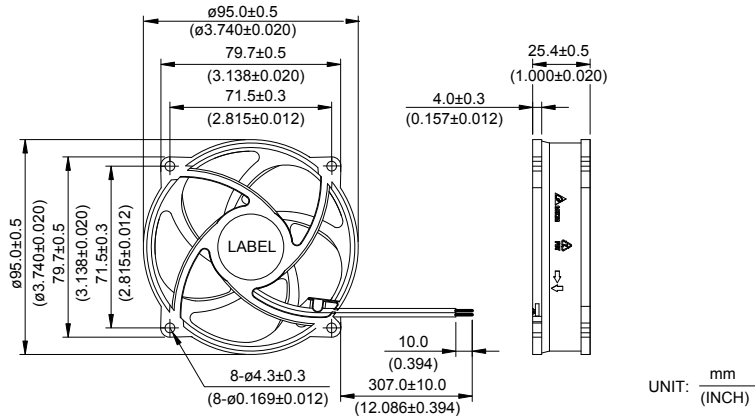
New



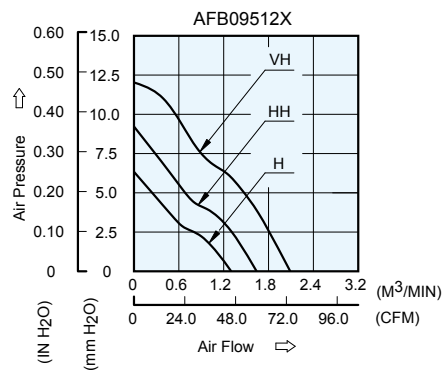
- * Bearing Type
Ball Bearings
- * Material
Impeller & Pillow : Plastic (UL 94V-0)
- * Lead Wires :
UL 1007 AWG #24 OR Equivalent
Red Wire Positive(+)
Black Wire Negative(-)
- * Weight : 90g (3.17 oz)

AFB $\phi 95$ x 25.4 MM SERIES

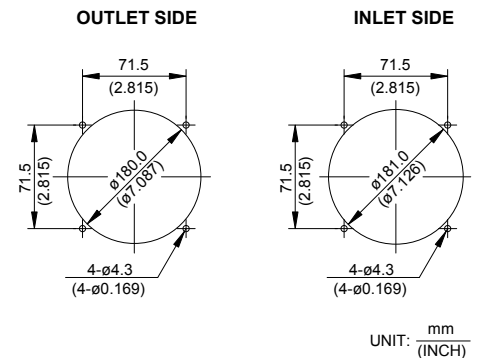
■ DIMENSIONS DRAWING



■ P & Q CURVE (AT RATED VOLTAGE)



■ MOUNTING PANEL CUTOUT



MODEL		Rated Voltage	Operating Voltage Range	Input Current	Input Power	Speed	Maximum Air Flow		Maximum Air Pressure		Noise
PART NO.	FUNCTION	VDC	VDC	Amp	Watt	R.P.M.	m ³ /min	CFM	mmH ₂ O	IN H ₂ O	dB-A
AFB09512H	-R00/-F00	12	5.0 to 12.6	0.15	1.80	4100	1.387	48.98	6.34	0.250	35.0
AFB09512HH	-R00/-F00	12	5.0 to 12.6	0.25	3.00	5100	1.750	61.80	9.22	0.363	41.0
AFB09512VH	-R00/-F00	12	5.0 to 12.6	0.39	4.68	6100	2.230	78.74	12.02	0.474	47.0

- * Function type is optional.
- * The max. air flow and the speed are measured in free air ; max. air pressure is measured at zero air flow.
- * Noise is measured in anechoic chamber in free air, one meter from intake side.
- * All readings are typical values at rated voltage.
- * Specifications are subject to change without notice.
- * Both of the ball bearing and the 1 ball + 1 Sleeve type are available.