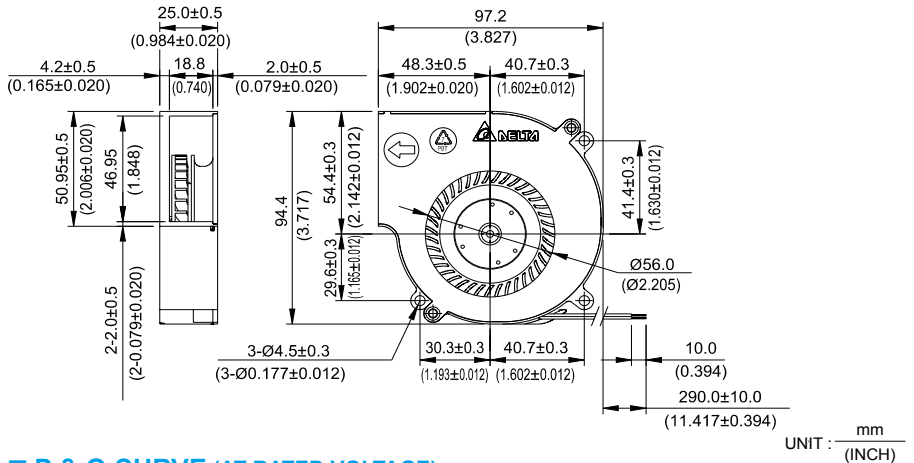
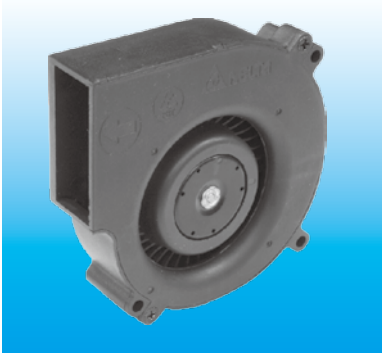


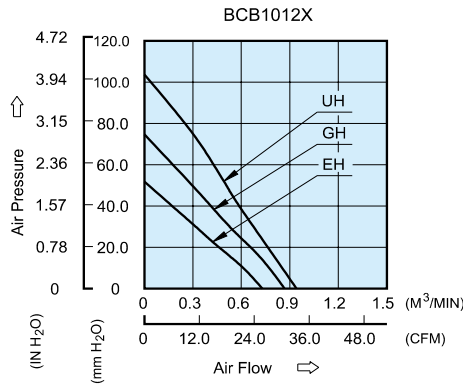
BCB 97 x 94 x 25 MM SERIES

DIMENSIONS DRAWING



- * Bearing Type
Ball Bearings
- * Material
Impeller & Frame : Plastic (UL 94V-0)
- * Lead Wires :
UL 1007 AWG #24 OR Equivalent
Red Wire Positive(+)
Black Wire Negative(-)
- * Weight : 176g (6.21 oz)

P & Q CURVE (AT RATED VOLTAGE)



| MODEL | | Rated Voltage | Operating Voltage Range | Input Current | Input Power | Speed | Maximum Air Flow | | Maximum Air Pressure | | Noise |
|-----------|-------------|---------------|-------------------------|---------------|-------------|--------|---------------------|-------|----------------------|---------------------|-------|
| PART NO. | FUNCTION | VDC | VDC | Amp | Watt | R.P.M. | m ³ /min | CFM | mmH ₂ O | IN H ₂ O | dB-A |
| BCB1012EH | -R00 / -F00 | 12 | 6.0 to 13.2 | 1.30 | 15.60 | 6700 | 0.730 | 25.78 | 51.77 | 2.038 | 63.9 |
| BCB1012GH | -R00 / -F00 | 12 | 6.0 to 13.2 | 2.20 | 26.40 | 8000 | 0.867 | 30.62 | 74.71 | 2.941 | 67.3 |
| BCB1012UH | -R00 / -F00 | 12 | 6.0 to 13.2 | 3.20 | 38.40 | 9300 | 1.000 | 35.31 | 102.95 | 4.053 | 67.8 |

- * Function type is optional.
- * The max. air flow and the speed are measured in free air ; max. air pressure is measured at zero air flow.
- * Noise is measured in anechoic chamber in free air, one meter from intake side.
- * All readings are typical values at rated voltage.
- * Specifications are subject to change without notice.