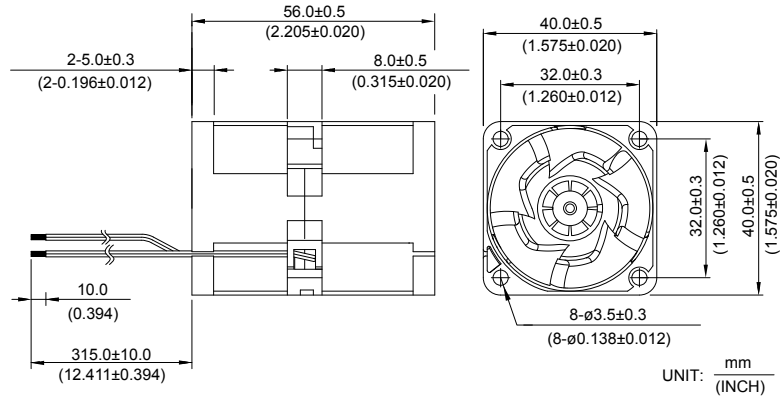


*New*



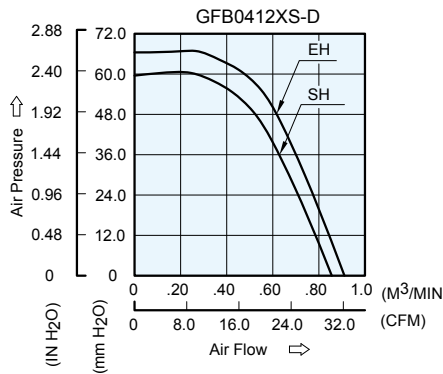
# GFB 40 x 40 x 56 MM SERIES

## ■ DIMENSIONS DRAWING

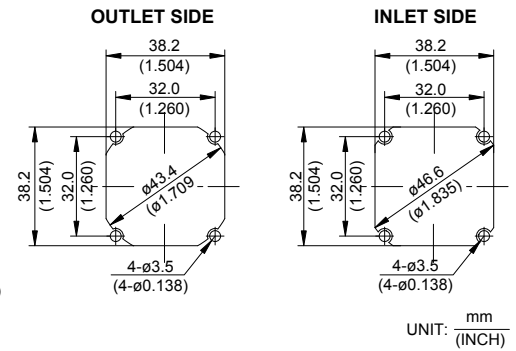


- \* Bearing Type  
Ball Bearings
- \* Material  
Impeller & Pillow : Plastic (UL 94V-0)
- \* Lead Wires :  
UL 1061 AWG #26 OR Equivalent  
Red And Orange Wire Positive(+)  
Black And Brown Wire Negative(-)
- \* Weight : 83g (2.93 oz)

## ■ P & Q CURVE (AT RATED VOLTAGE)



## ■ MOUNTING PANEL CUTOUT



MODEL			Rated Voltage	Operating Voltage Range	Input Current	Input Power	Speed (Front/Rear)	Maximum Air Flow		Maximum Air Pressure		Noise
PART NO.	REV.	FUNCTION	VDC	VDC	Amp	Watt	R.P.M.	m <sup>3</sup> /min	CFM	mmH <sub>2</sub> O	IN H <sub>2</sub> O	dB-A
GFB0412SHS	-D	-R00/-F00	12	10.8 to 12.6	1.10	13.20	15000/14300	0.856	30.23	59.55	2.344	63.0
GFB0412EHS	-D	-R00/-F00	12	10.8 to 12.6	1.30	15.60	16000/15400	0.911	32.18	66.82	2.631	64.5

\* Function type is optional.  
 \* The max. air flow and the speed are measured in free air ; max. air pressure is measured at zero air flow.  
 \* Noise is measured in anechoic chamber in free air, one meter from intake side.  
 \* All readings are typical values at rated voltage.  
 \* Specifications are subject to change without notice.