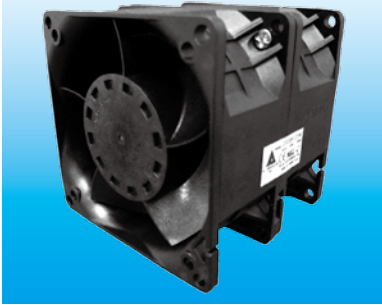
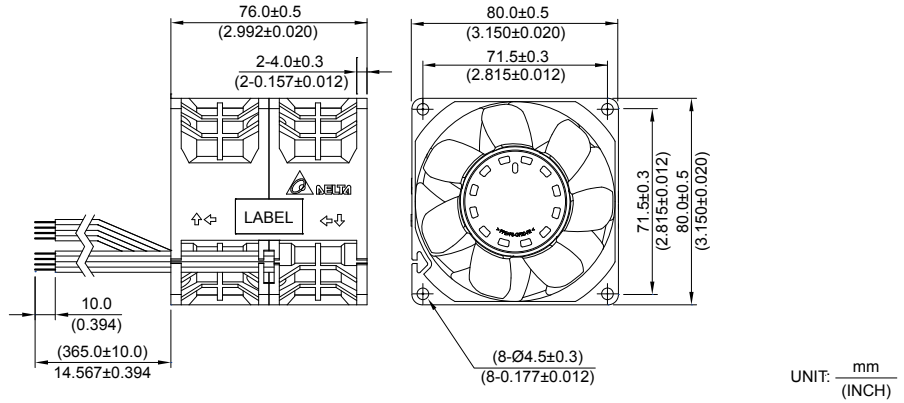


New



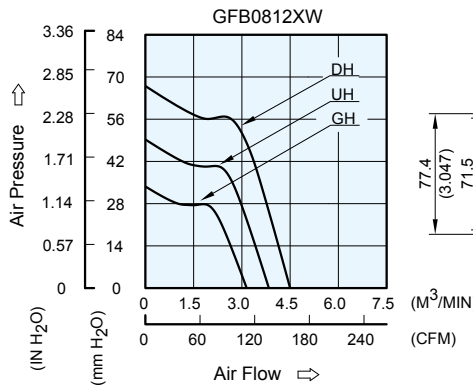
GFB 80 x 80 x 76 MM SERIES

■ DIMENSIONS DRAWING

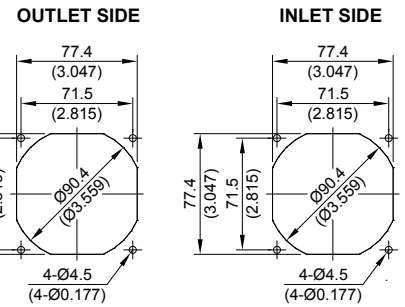


- * Bearing Type
Ball Bearings
- * Material
Impeller & Frame : Plastic (UL 94V-0)
- * Lead Wires :
UL 1007 AWG #24 OR Equivalent
Red And Orange Wire Positive (+)
Black And Brown Wire Negative(-)
- * Weight : 386g (13.62 oz)

■ P & Q CURVE (AT RATED VOLTAGE)



■ MOUNTING PANEL CUTOUT



UNIT: $\frac{\text{mm}}{\text{INCH}}$

| MODEL | | Rated Voltage | Operating Voltage Range | Rated Current | Rated Input Power | Speed (Front/Rear) | Maximum Air Flow | | Maximum Air Pressure | | Noise |
|------------|-------------|---------------|-------------------------|---------------|-------------------|--------------------|---------------------|--------|----------------------|---------------------|-------|
| PART NO. | FUNCTION | VDC | VDC | Amp | Watt | R.P.M. | m ³ /min | CFM | mmH ₂ O | IN H ₂ O | dB-A |
| GFB0812GHW | -R00 / -F00 | 12 | 7.0 to 13.2 | 1.96 | 23.52 | 6500/6800 | 3.150 | 111.24 | 33.69 | 1.326 | 67.0 |
| GFB0812UHW | -R00 / -F00 | 12 | 7.0 to 13.2 | 3.24 | 38.88 | 7800/8200 | 3.839 | 135.57 | 49.26 | 1.940 | 72.0 |
| GFB0812DHW | -R00 / -F00 | 12 | 7.0 to 13.2 | 5.50 | 66.00 | 9200/9600 | 4.540 | 160.33 | 66.32 | 2.610 | 75.2 |

- * Function type is optional.
- * The max. air flow and the speed are measured in free air ; max. air pressure is measured at zero air flow.
- * Noise is measured in anechoic chamber in free air, one meter from intake side.
- * All readings are typical values at rated voltage.
- * Specifications are subject to change without notice.