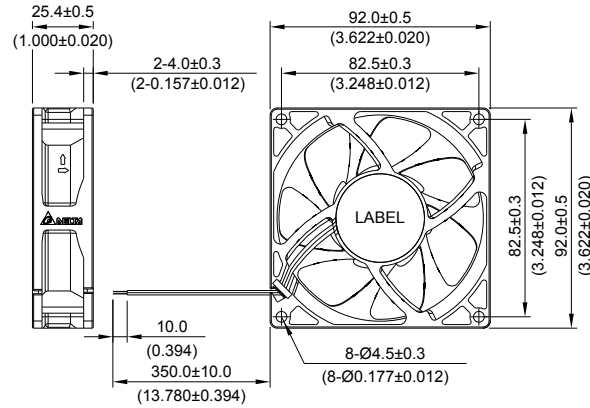


QFR 92 x 92 x 25.4 MM SERIES

■ DIMENSIONS DRAWING

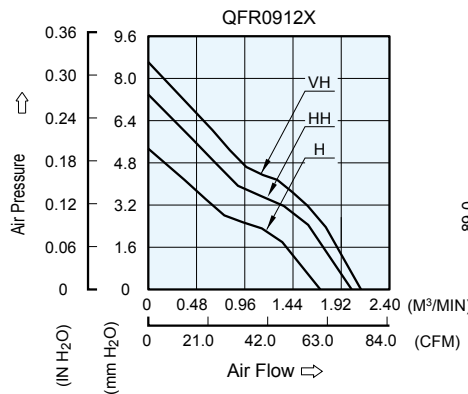


UNIT : mm
(INCH)

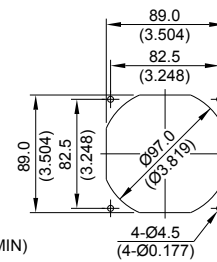
- * Bearing Type
Ball Bearings
- * Material
Impeller & Frame : Plastic (UL 94V-0)
- * Lead Wires :
UL 1061 AWG #24 OR Equivalent
Red Wire Positive(+)
Black Wire Negative(-)
- * Weight : 110g (3.880 oz)

■ P & Q CURVE (AT RATED VOLTAGE)

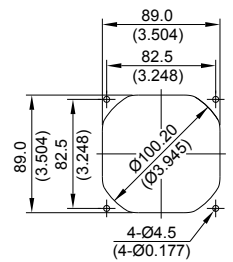
■ MOUNTING PANEL CUTOUT



OUTLET SIDE



INLET SIDE



UNIT : mm
(INCH)

MODEL		Rated Voltage	Operating Voltage Range	Input Current	Input Power	Speed	Maximum Air Flow		Maximum Air Pressure		Noise
PART NO.	FUNCTION	VDC	VDC	Amp	Watt	R.P.M.	m ³ / min	CFM	mmH ₂ O	IN H ₂ O	dB-A
QFR0912H	-R00 / -F00	12	5.0 to 13.2	0.22	2.64	3200	1.712	60.47	5.34	0.210	37.0
QFR0912HH	-R00 / -F00	12	5.0 to 13.2	0.31	3.72	3800	2.024	71.49	7.39	0.291	42.2
QFR0912VH	-R00 / -F00	12	10.8 to 13.2	0.40	4.80	4200	2.117	74.78	8.62	0.339	45.0

* Function type is optional.
 * The max. air flow and the speed are measured in free air ; max. air pressure is measured at zero air flow.
 * Noise is measured in anechoic chamber in free air, one meter from intake side.
 * All readings are typical values at rated voltage.
 * Specifications are subject to change without notice.