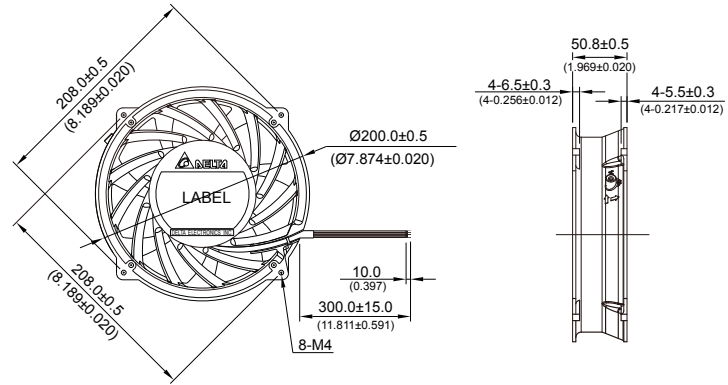


# THB 200 x 200 x 50.8 MM SERIES

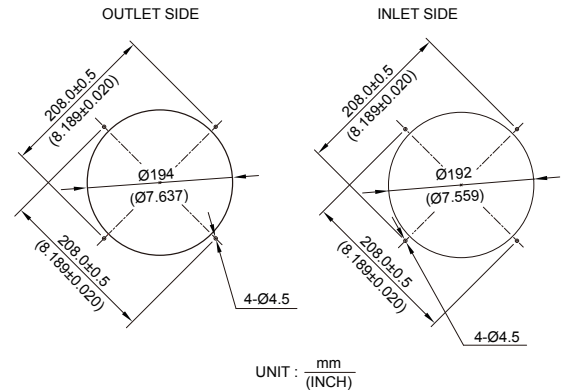
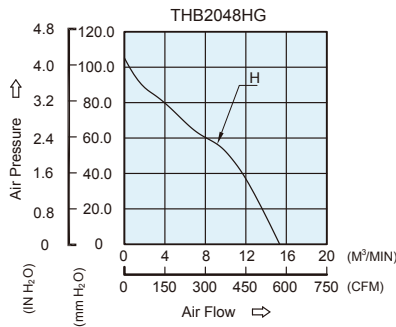
## DIMENSIONS DRAWING



- \* Bearing Type  
Ball Bearings
- \* Material  
Impeller : Plastic(UL 94V-0)  
Frame : Die-cast Aluminum
- \* Lead Wires :  
UL 1430 AWG #18 OR Equivalent  
Red Wire Positive(+)  
Black Wire Negative(-)  
UL 1430 AWG #24 OR Equivalent  
Blue Wire (F00)  
Yellow Wire Speed Control (PWM)
- \* Weight :  
1300g (45.83 OZ)

## P & Q CURVE (AT RATED VOLTAGE)

## MOUNTING PANEL CUTOUT



UNIT : mm (INCH)

MODEL			Rated Voltage	Operating Voltage Range	Rated Current	Rated Input Power	Speed	Maximum Air Flow		Maximum Air Pressure		Noise
PART NO.	REV.	FUNCTION	VDC	VDC	Amp	Watt	R.P.M.	m <sup>3</sup> /min	CFM	mmH <sub>2</sub> O	IN H <sub>2</sub> O	dB-A
THB2048HG	-A	PWM & F00	48	36.0 to 59.0	4.20	201.6	7700	19.583	690.3	105.18	4.141	78.0

\* Function type is optional.  
 \* The max. air flow and the speed are measured in free air ; max. air pressure is measured at zero air flow.  
 \* Noise is measured in anechoic chamber in free air, one meter from intake side.  
 \* All readings are typical values at rated voltage.  
 \* Specifications are subject to change without notice.